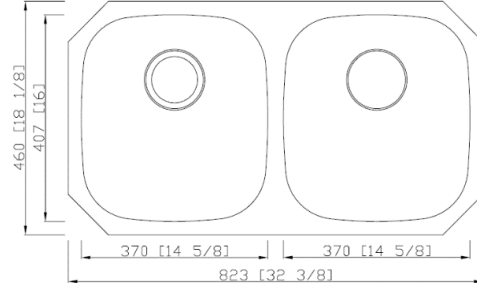


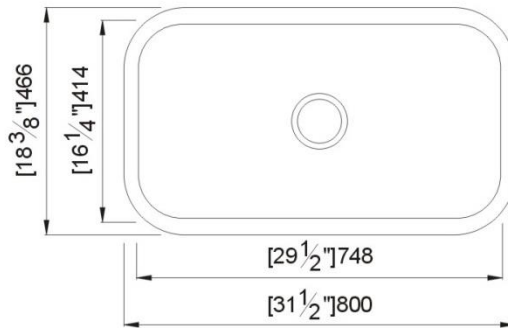
Under-mount stainless steel sink: SS304 steel, 18 gauge, brush finish

1. Double equal: EG50-50 (rear drain holes)



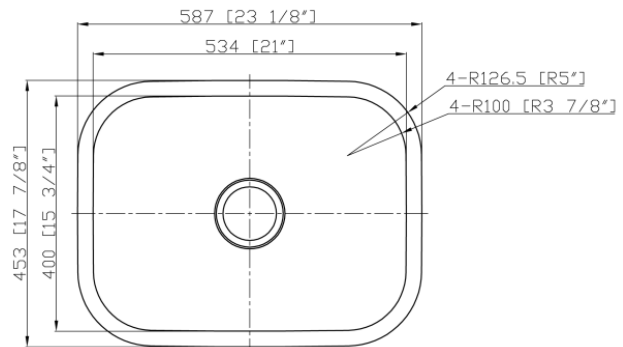
Overall dimensions: 32-3/8" X 18-1/8" X 9"9"

2. Kitchen single bowl: EG3118



Overall dimension: 31-1/2" X 18-3/8" X 9"

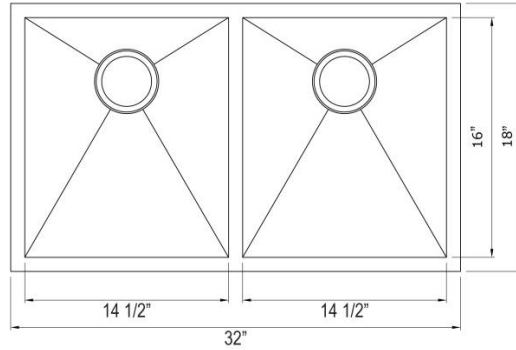
3. Large utility sink: EG2318



Overall dimensions: 23-1/8" X 17-7/8" X 9"

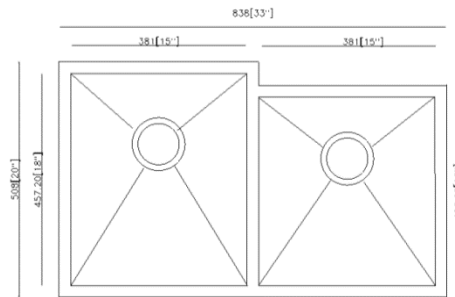
Hand-made stainless-steel sinks: SS304, 18 gauge

1. Double equal: HM3218-DE



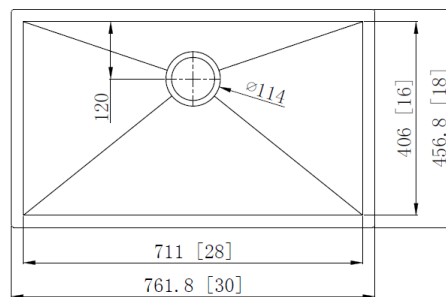
Overall dimension: 32" X 18" X 10"

2. Double unequal: HM3320-DO



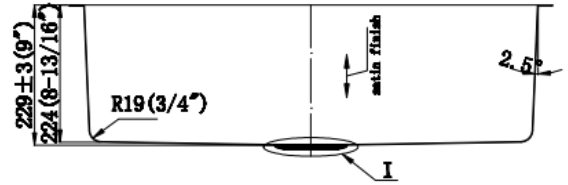
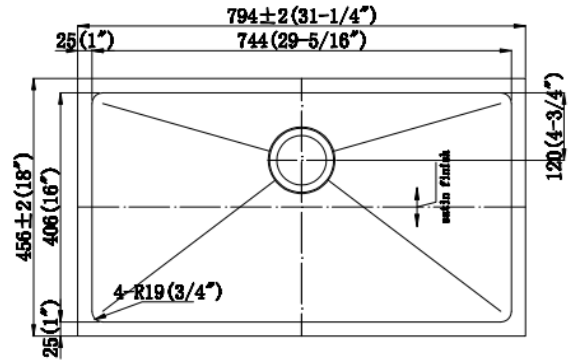
Overall dimension: 33"x 20"x 10"

3. Kitchen single bowl: HM3018-S

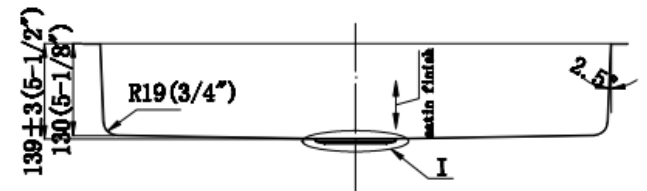
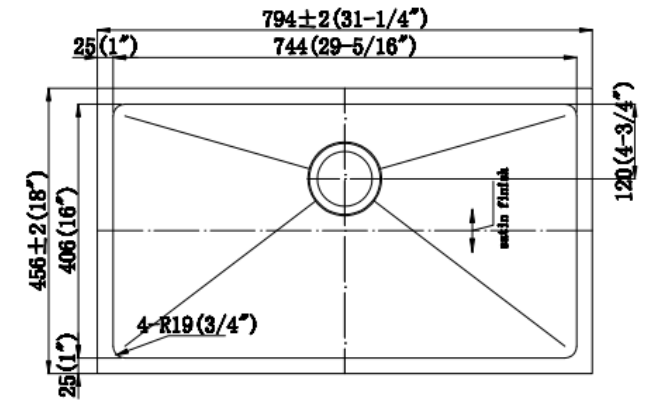


Overall dimension: 30"X18"X10"

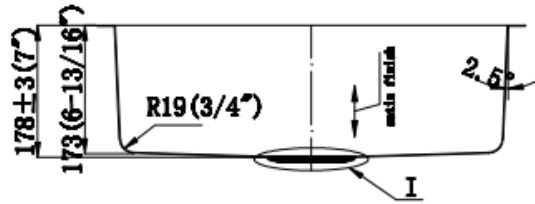
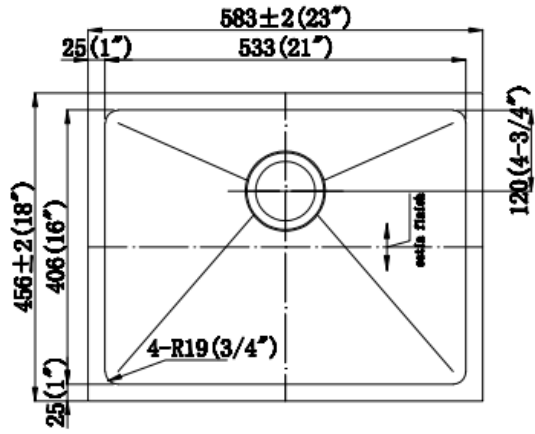
4. HM3118R



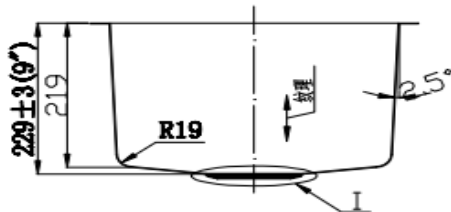
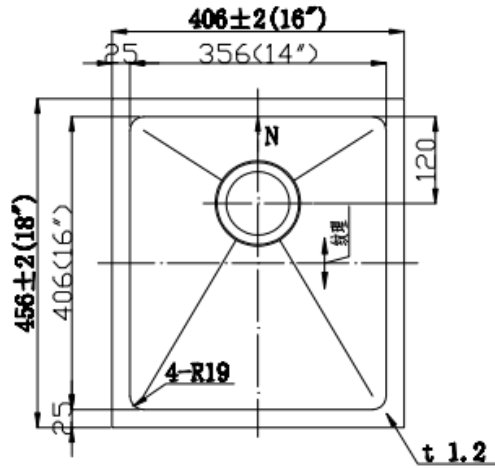
5. HM3118R-6



6. HM2318R

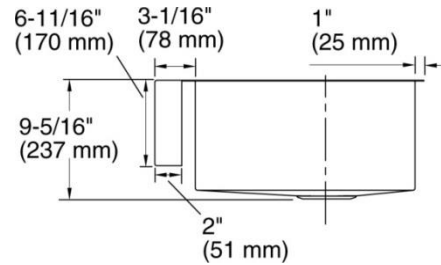
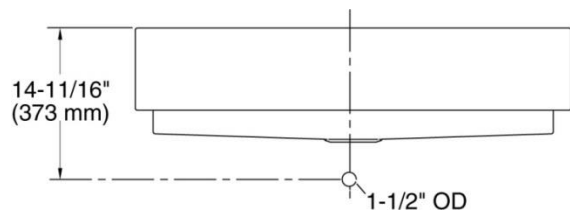
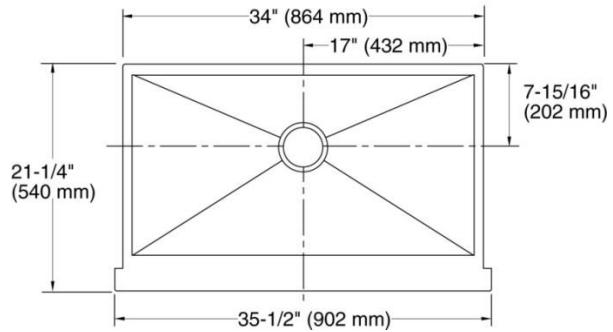


7. HM1816R

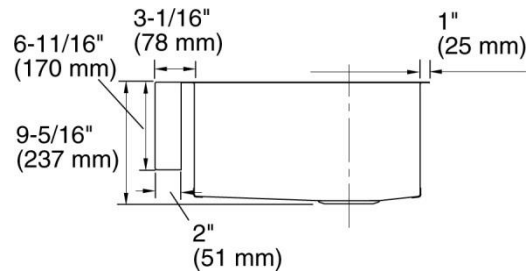
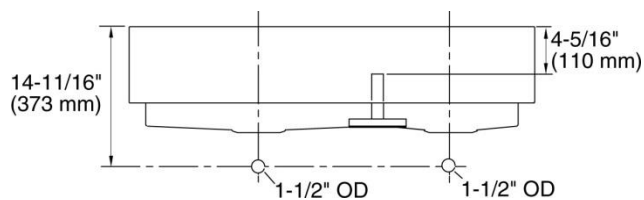
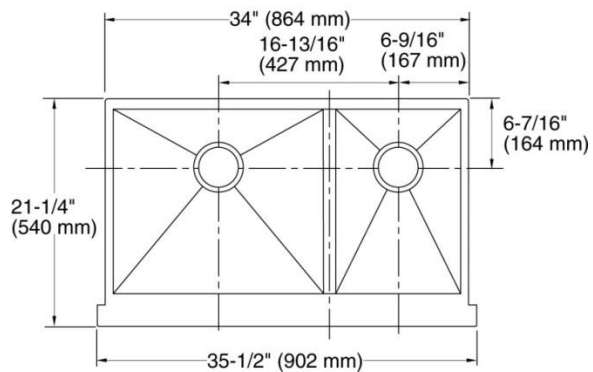


Hand-made stainless-steel sinks (with Apron): SS304, 18 gauge

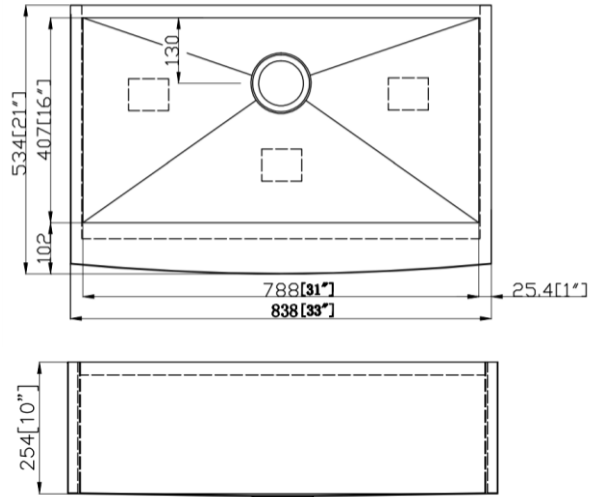
AP3521-S (Kitchen single bowl):



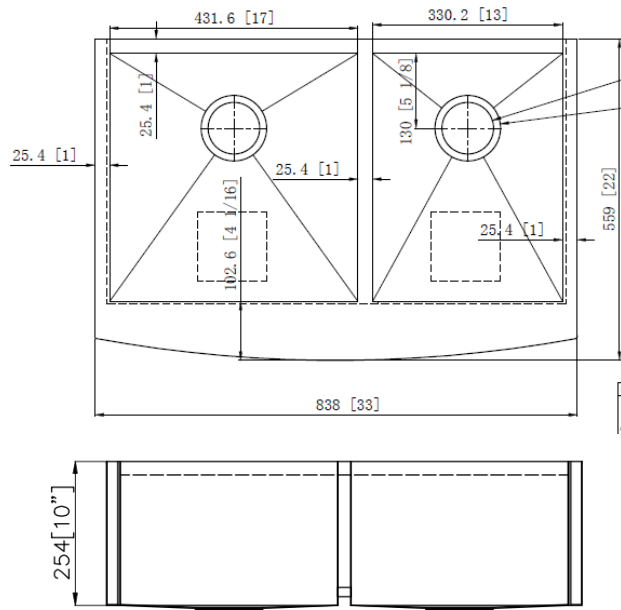
AP3521-D (Kitchen double bowl)



AP3321-S (Kitchen Single Bowl)

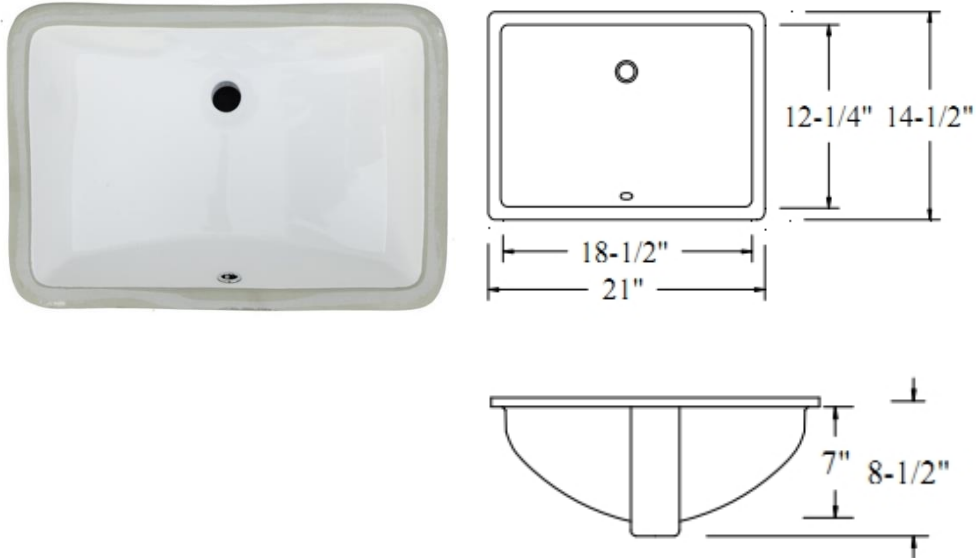


AP3322-DO (Kitchen 60/40)



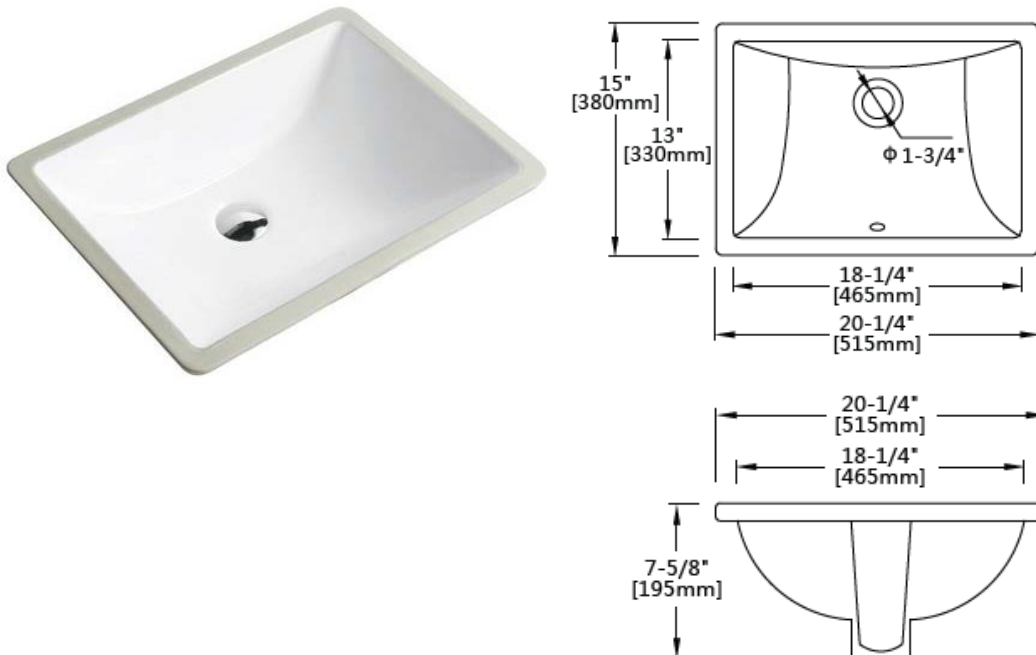
Under-mount porcelain sinks:

1. US2114: with 1 overflow holes

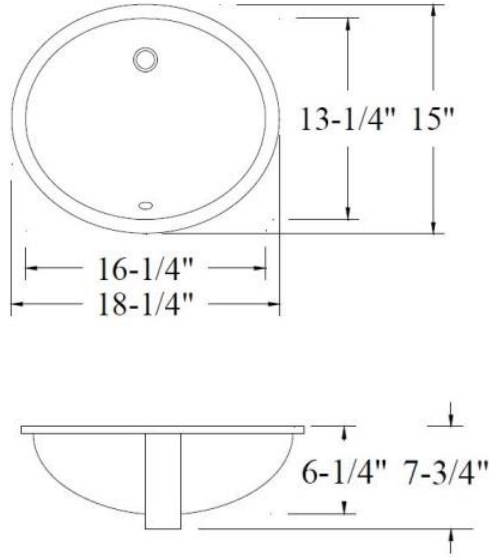


Overall dimensions: 21" X 14-1/2" X 8-1/2"

2. US2015



UO1815: with 1 overflow hole.



Overall dimensions: 18-1/4" x 15" x 7-3/4"

3. UO1916

